

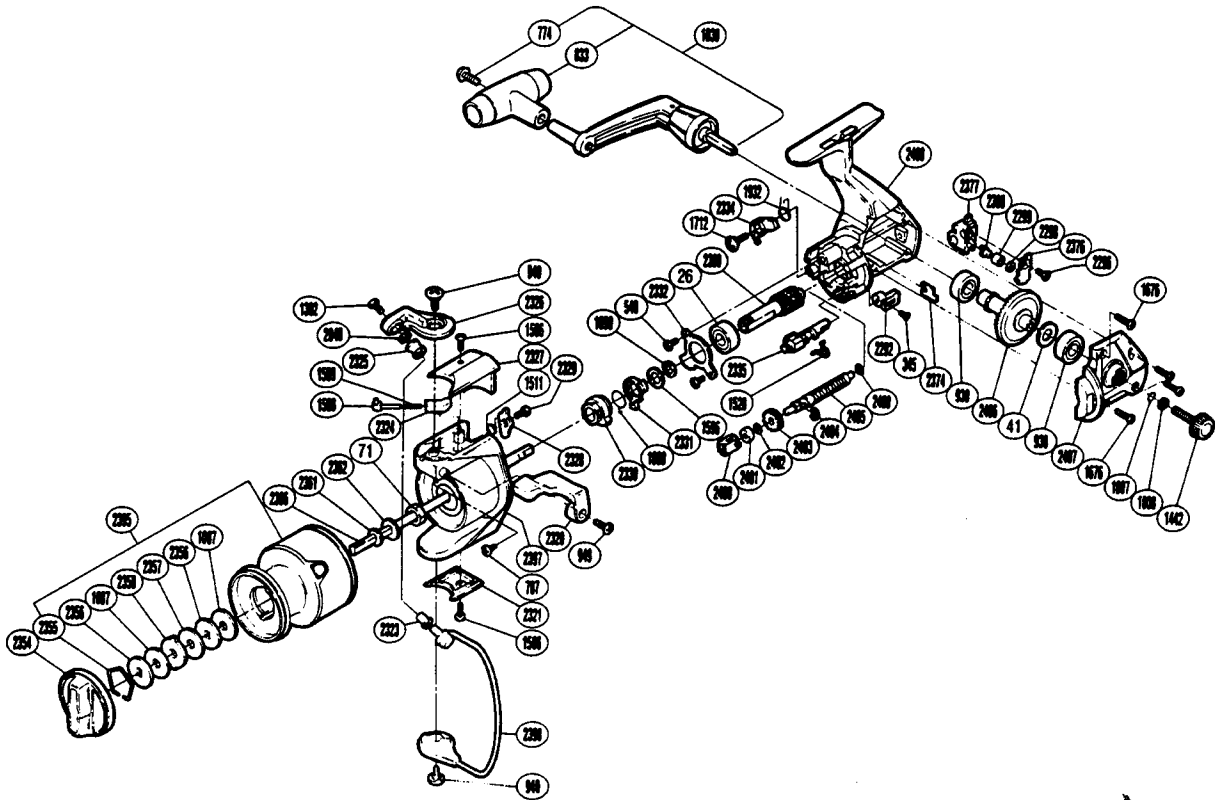
EXPLODED PARTS VIEW

Beast Master GT-X
AERO
4-8#A

SHIMANO®

1990 REPAIR MANUAL

Shimano American Corporation, One Shimano Dr.
 Irvine, CA 92718



**TO ORDER: USE RD PREFIX
 WITH PART NUMBER**

PARTS LIST

RD #	DESCRIPTION	RD #	DESCRIPTION	RD #	DESCRIPTION
0026	Ball Bearing	1888	Anti-Reverse Lever	2355	Drag Washers Retainer
0041	Drive Gear Washer	1890	Bushing Washer	2356	Key Washer
0071	Rotor Nut	1932	Anti-Reverse Pawl Spring	2357	Drag Washer 2
0345	Anti-Reverse Lever Screw	2048	Line Roller Washer	2358	Eared Washer
0540	Anti-Reverse Pawl Screw	2292	Anti-Reverse Lever	2361	Spool Washer
0774	Handle Knob Screw	2296	Slider Retainer Screw	2362	Spool Support
0787	Nut Lock Screw	2298	Spacer	2374	Worm Shaft Retainer
0833	Handle Knob	2299	Oscillating Slider Bushing	2376	Oscillating Pawl Cover
0930	Ball Bearing	2300	Oscillating Pawl	2377	Oscillating Slider
0940	Bail Trip Cam Screw	2320	Quick-Fire II Trigger	2395	Spool Assembly
0949	Trigger Screw	2321	Rotor Side Cover	2396	Main Shaft
1007	Lock Washer Retainer	2323	Line Roller Bushing	2397	Rotor
1008	Handle Lock Washer	2324	Bail Spring Guide (B)	2398	Bail Assembly
1030	Handle Assembly	2325	Sic Ceramic Roller	2399	Pinion Gear
1087	Drag Washer 1	2326	Arm Cam	2400	Bearing Spacer
1302	Line Roller Screw	2327	Bail Spring Cover	2401	Ball Bearing
1442	Handle Screw Cap	2328	Bail Trip Lever	2402	Bearing Washer
1506	Bail Spring Cover Screw	2329	Bail Trip Lever Screw	2403	Idle Gear
1508	Bail Spring Guide A	2330	Anti-Reverse Ratchet	2404	Idle Gear Retainer
1509	Bail Spring	2331	Anti-Reverse Lock Out	2405	Worm Shaft
1511	Lever Spring	2332	Bearing Retainer	2406	Drive Gear
1520	Anti-Reverse Cam Spring	2334	Anti-Reverse Pawl	2407	Side Cover
1596	Bushing Washer	2335	Anti-Reverse Cam	2408	Body
1676	Side Cover Screw	2354	Drag Knob	2409	Worm Shaft Spacer
1712	Anti-Reverse Pawl Screw				